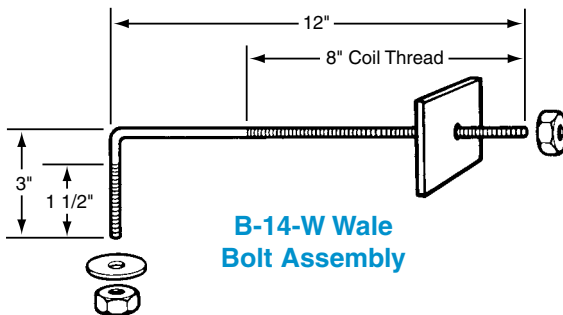
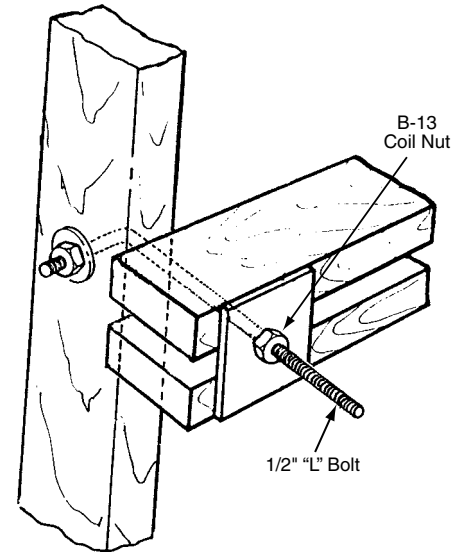


B-14-W Wale Bolt Assembly

Dayton Superior B-14-W Wale Bolt Assembly consists of a 1/2" "L" bolt, a round cut washer, a B-11 Flat Washer and two 1/2" B-13 Coil Nuts. The B-14-W assembly is used to fasten wales to crane-handled gang forms. One size assembly will secure wales up to 10" thick. The bolt has 8" of coil thread on the long end and 1-1/2" of coil thread on the short end.

The short end of the bolt is inserted through a 9/16" hole drilled through the center of the stud. The cut washer and 1/2" nut fastens the bolt to the stud. The long end of the bolt extends between the wales and allows the wales to be drawn tightly against the stud using a flat washer and the second 1/2" nut.

Wale Bolt Assemblies are normally spaced at four feet intervals along the wales. The safe working load of the assembly is dependent on the wale members being used.



B-14-W Wale Bolt Assembly

To Order:
Specify: (1) quantity, (2) name.

Example:
300 pcs. B-14-W Wale Bolt Assembly, complete with nuts and washers.

B-15 Plastic Cone Removal Wrench

Dayton Superior B-15 Plastic Cone Removal Wrench is designed to remove the plastic cones from Screw-On Coil Ties. Available for 1/2", 3/4", 1" and 1-1/4" diameter cones.

B-15 Plastic Cone Removal Wrench



B-16 Coil Loop Insert Straight

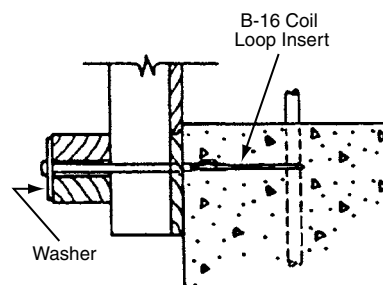
Dayton Superior B-16 Coil Loop Insert Straight is made of a single looped wire strut welded to a helix coil. B-16 inserts are available in 1/2", 3/4" and 1" nominal diameter standard or screw-on coil and in various standard lengths. The B-16 is also available in other than standard lengths and with a nailing washer face on special order.

B-16 Coil Loop Insert, Straight Selection Chart				
Bolt Diameter	Insert Length	Wire Strut Diameter	Safe Working Load Tension (lbs.)	Minimum Concrete Strength (psi)
1/2"	3"	.223	4,500	2,000
1/2"	4"	.223	4,500	2,000
1/2"	6"	.306	7,500	2,000
3/4"	4"	.223	4,500	2,000
3/4"	6"	.306	7,500	2,000
1"	6"	.306	7,500	2,000
1"	8"	.306	7,500	2,000

SWL provides a factor of safety of approximately 2 to 1.
SWL may vary with concrete weight and strength, as well as with insert setback and edge distance. Contact the Dayton Superior Technical Service Department for variables.



B-16 Coil Loop Insert



To Order:
Specify:
(1) quantity,
(2) name,
(3) diameter,
(4) insert length